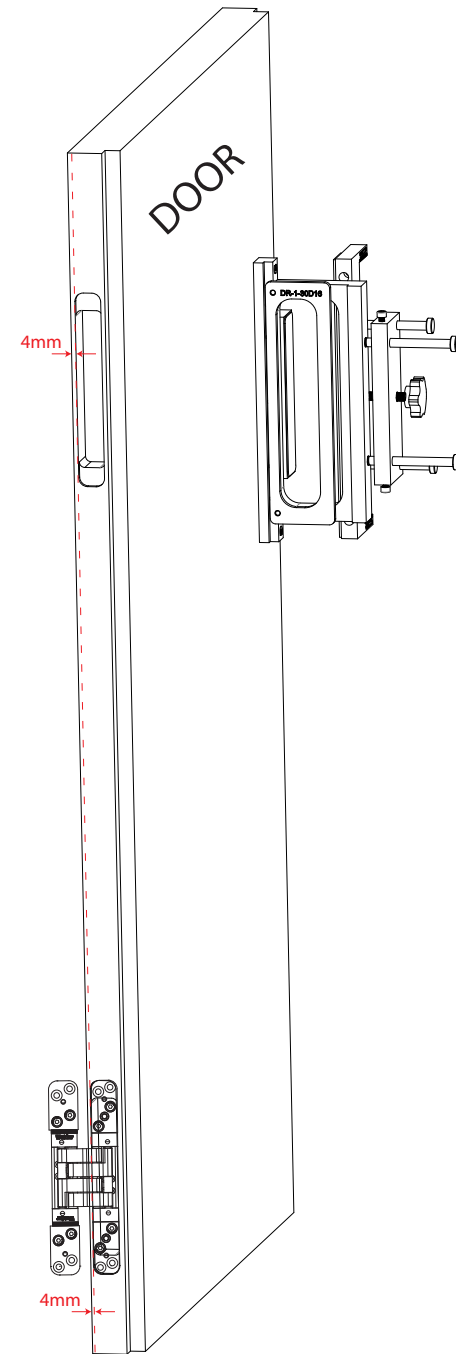
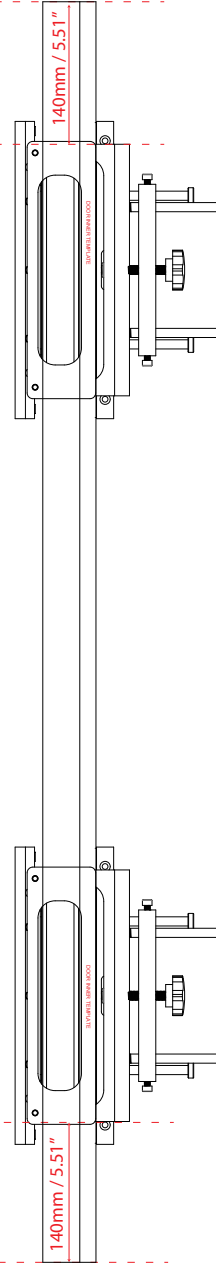
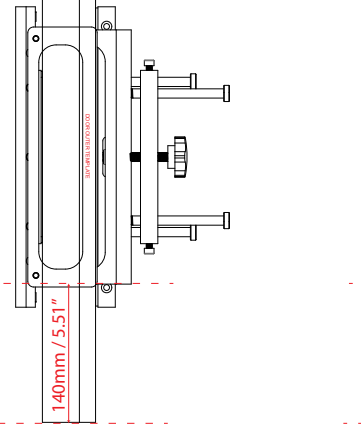
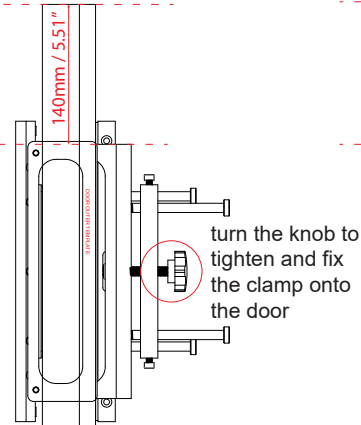
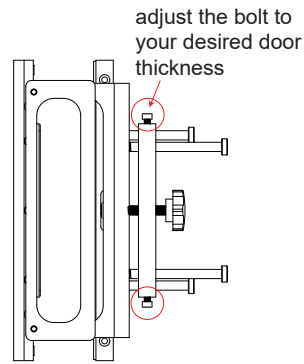
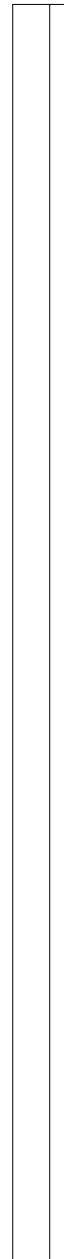
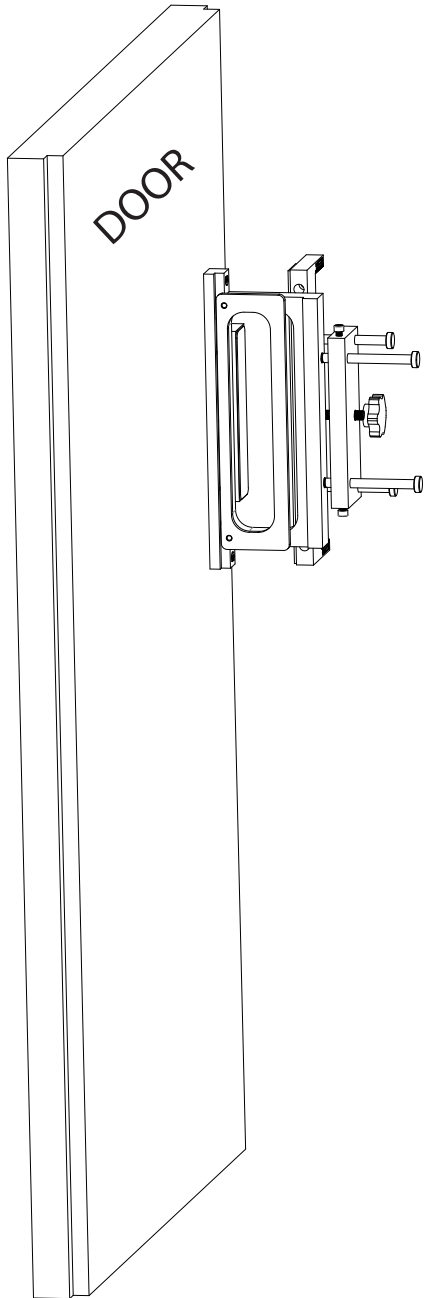
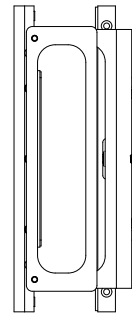
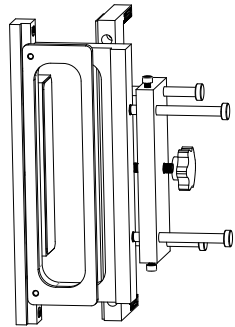
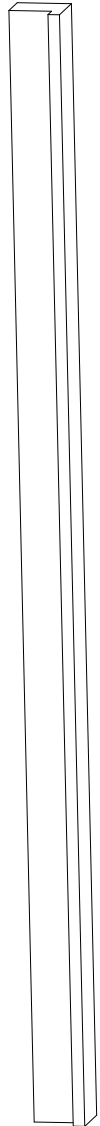


Please use 30mm (1.18") guide ring & 16mm (5/8") router bit



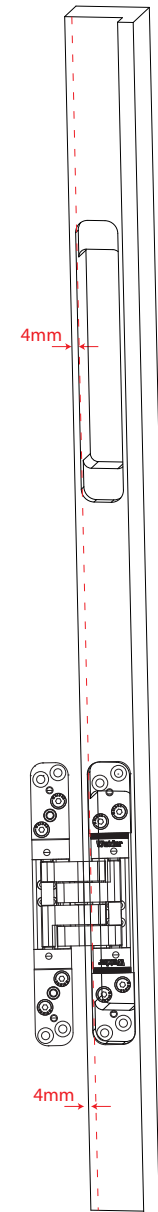
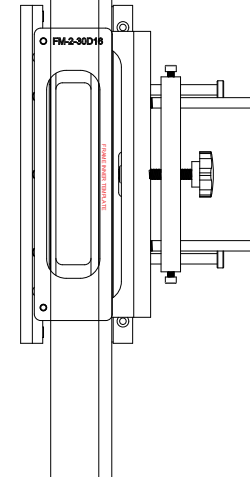
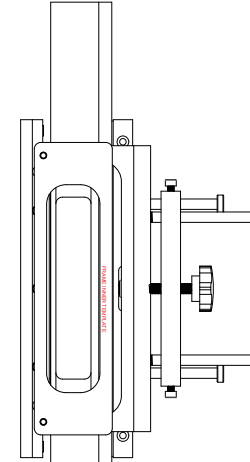
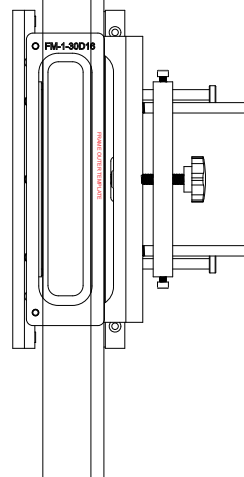
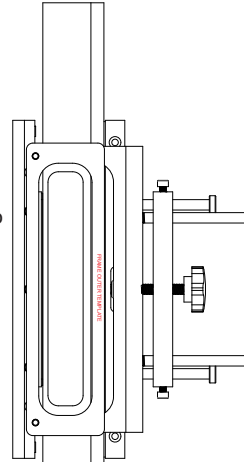
Please use 30mm (1.18") guide ring & 16mm (5/8") router bit

FRAME



adjust the bolt to your desired frame thickness

turn the knob to tighten and fix the clamp onto the frame/jab



FRAME

